

**INSTALLATION FOR WALLS, WOOD DECKS AND STEPS:**

**NOTE: To prevent electrical shock, disconnect transformer from electrical supply before installation or service.**

1. Using back box as a template, mark the location of the fixture on the wall or vertical surface.
2. Loosen the two (2) set screws on sides of fixture cover and remove cover from back plate.
3. Using back plate as a guide, with the "UP" arrow pointing up, mark hole locations for mounting screws.
4. Drill pilot holes for (2) #6 mounting screws (supplied).
5. Install back plate with "UP" arrow pointing up and secure (2) #6 screws tightly with #2 Philips screwdriver.
6. Install cover and tighten the two (2) set screws on sides of cover.
7. Strip the two (2) leads from the fixtures 18-2 lead wire and connect to main 12V supply cable.

**NOTE: Fixtures are supplied with 60" of 18-2 lead wire for secure connection to the main 12V supply cable.**

8. Provide power to the fixture and check for proper operation.

**NOTE: Wire can be run down through groove in the bottom of fixture and attached to surface using staples. Or, for cleaner installation, a hole can be drilled to pull wire through the back of surface to hide wiring.**

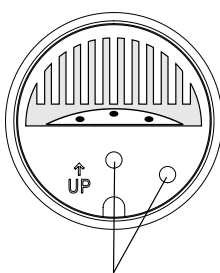
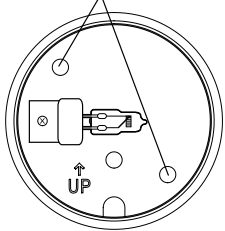
**LAMP INSTALLATION/REPLACEMENT**

1. Turn off power.
2. Loosen two (2) slotted set screws and remove cover.
3. Replace lamp with correct type and wattage marked on fixture label.
4. Reinstall cover and tighten two (2) slotted set screws to secure cover.

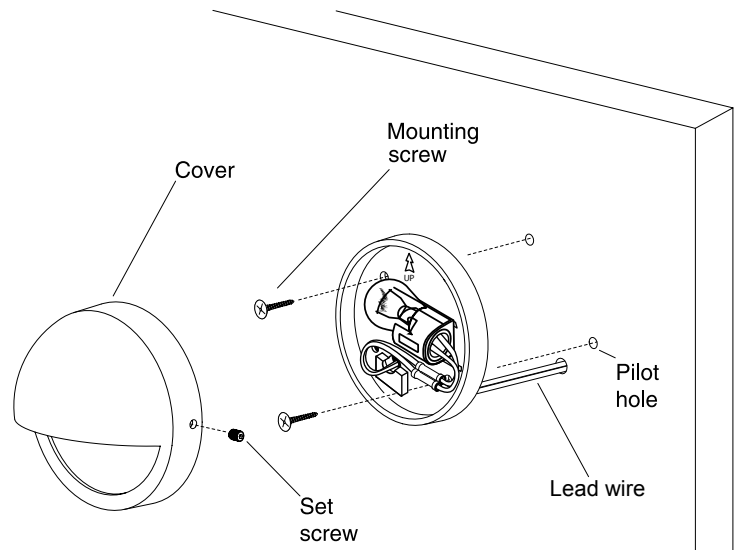
**CAUTION: Do not exceed maximum wattage marked on fixture label.**

**SL-07-SM BASE MOUNTING**

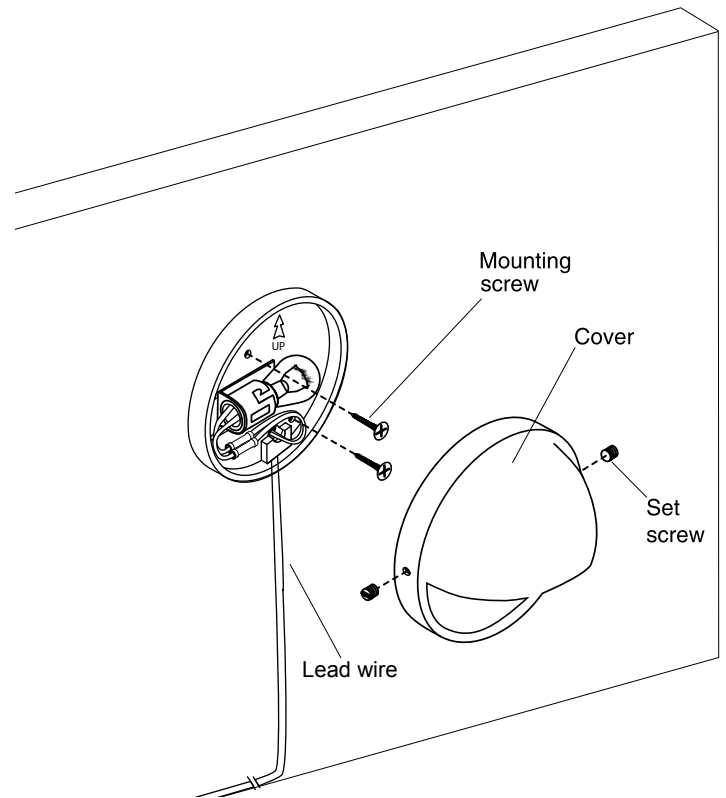
Mounting Holes for  
5w Bi-Pin Halogen model



Mounting Holes for  
Integrated LED model



**THROUGH HOLE WIRING**



**SURFACE WIRING**

**IMPORTANT SAFETY INSTRUCTIONS TO REDUCE THE RISK OF FIRE AND INJURY TO PERSONS:**

1. Lamp gets hot quickly; turn off, unplug/disconnect and allow to cool down before replacing the light bulb.
2. **DO NOT** touch hot lens, use guard or enclosure.
3. **DO NOT** look into lamp when on.
4. Keep lamp away from materials that may burn.
5. Use only with wattage/lamp marked on fixture warning and instructions.
6. Use the correct light bulb base with the correct socket.
7. **DO NOT** touch lamp at anytime. Use a lint-free cloth when handling the Halogen light bulbs as oil from skin may damage lamp and shorten lamp life.
8. **DO NOT** operate fixture with missing or damaged shield or lens.

**LED WARNING**

**LEDs For Use With Magnetic Transformers Only  
Electronic Transformers Will Damage LED  
Components and VOID WARRANTY**