



AREA LIGHTS IAL-03-SERIES

SPECIFICATIONS

Available in 3-tier and 4-tier models with 6"- or 10" diameter Pagoda Hats

CONSTRUCTION: Cast aluminum Pagoda Hat

LENS: 3.25" threaded clear glass lens

SOCKET: High temperature ceramic medium base with 250° C silicone lead wires

MOUNTING: None supplied, order FA-26 120v. No stem supplied, see below

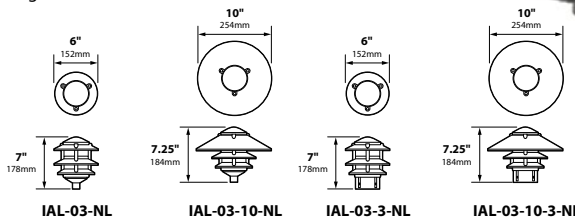
FINISH: Black texture polyester powder coat—optional finishes available

ORDERING INFORMATION

CATALOG NO. LAMP SUPPLIED MAX. WATTAGE

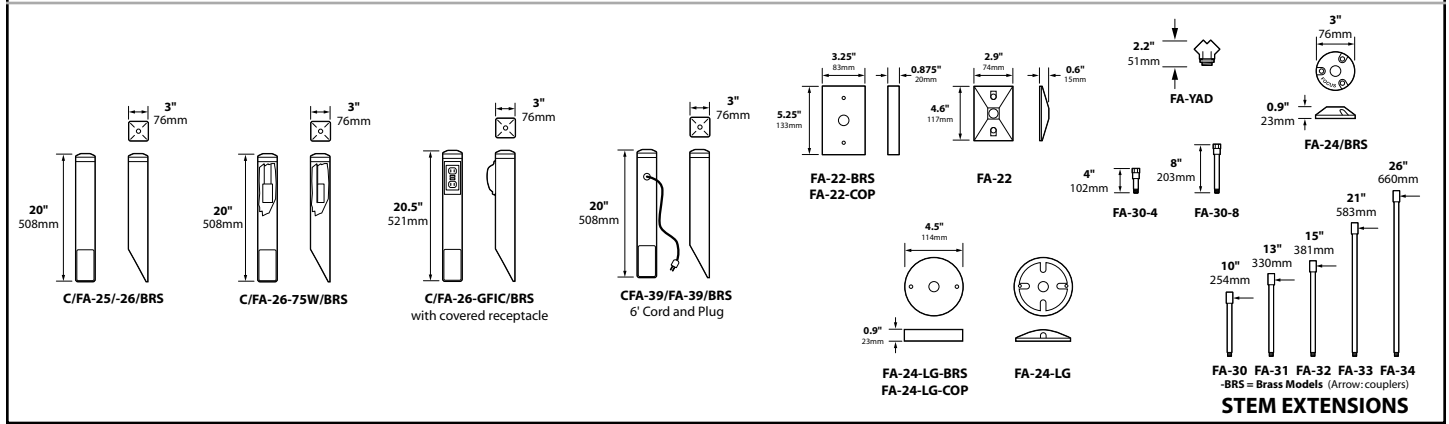
The following fixtures are not supplied with lamps. They are designed for medium base light sources (A-19).

IAL-03-NL	None	60
IAL-03-10-NL	None	60
IAL-03-3-NL	None	60
IAL-03-10-3-NL	None	60

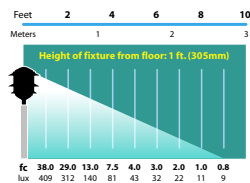


IAL-03-10-NL-BLT

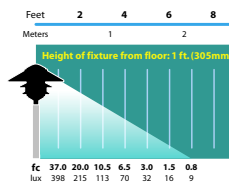
MOUNTING ACCESSORIES



LIGHT DISTRIBUTIONS AND PHOTOMETRICS



IAL-03-NL
Half Spread Photometrics (40w)
26 ft. (7.8m) diameter



IAL-03-10-NL
Half Spread Photometrics (40w)
14 ft. (4.3m) diameter



BEAM/GLARE CONTROL ACCESSORIES

- FA-89** 5" Opal Glass (FAL/IAL-03, FAL/IAL-03-10)
- FA-90** 7" White Opal Glass (FAL/IAL-04, FAL/IAL-04-10)
- FA-90-RIB** 7" Clear Ribbed Glass (FAL/IAL-04, FAL/IAL-04-10)
- FA-26** 120v. Mounting Pedestal
- FA-30-NC** (9"), **FA-31-NC** (12"), **FA-32-NC** (15"), **FA-33-NC** (20"), **FA-34-NC** (25") Extension Wands

JOB INFORMATION

Type: _____ Date: _____

Job Name: _____

Cat. No.: _____

Lamp(s): _____

Specifier: _____

Contractor: _____

Notes: _____

FOCUS INDUSTRIES INC.
25301 COMMERCENTRE DRIVE
LAKE FOREST, CA 92630

www.focusindustries.com
sales@focusindustries.com
(949) 830-1350 • FAX (949) 830-3390

FSA-00

Powder Coat Finishes	Black Texture	Antique Verde	Bronze Texture	Camel	White Texture	Hunter Texture	Rust	Weathered Iron	Weathered Brown	Stucco	Rubbed Verde	Chrome Powder	Terra Cotta
Ordering Code	-BLT	-ATV	-BRT	-CAM	-WTX	-HTX	-RST	-WIR	-WBR	-STU	-RBV	-CPR	-TRC