



DIRECTIONAL LIGHTS DL-38-NL HID SERIES

TYPE

SPECIFICATIONS

CONSTRUCTION: Cast aluminum, cast brass or composite Bullet; matching heavy duty cast aluminum, brass or composite adjustable swivel

LENS: High impact clear tempered convex glass

O-RING: High temperature red silicone

LAMP SUPPLIED: None (150w max); Use only outdoor rated PAR38 lamps. Remote ballast required to correspond with PAR38 HID lamp to be used.

SOCKET: High temperature ceramic medium base with 250°C silicone lead wires

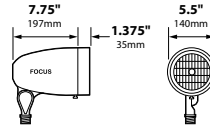
WIRING: Standard 120v Black, White and Ground 9" lead wires

MOUNTING: None supplied. See mounting accessories below for options

FINISH: Aluminum-Black texture polyester powder coat. Optional finishes available Brass-Unfinished brass. Optional finishes available

DOWN LIGHTS: Add -D suffix to catalog number for down light without weep holes.

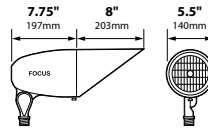
NOTE: Consult factory for Above Grade and Direct Burial ballast options.



DL-38-NL-EC



**DOWN LIGHT
APPLICATION
AVAILABLE**



DL-38-NL-AC



DL-38-NL-EC-HID-BRS

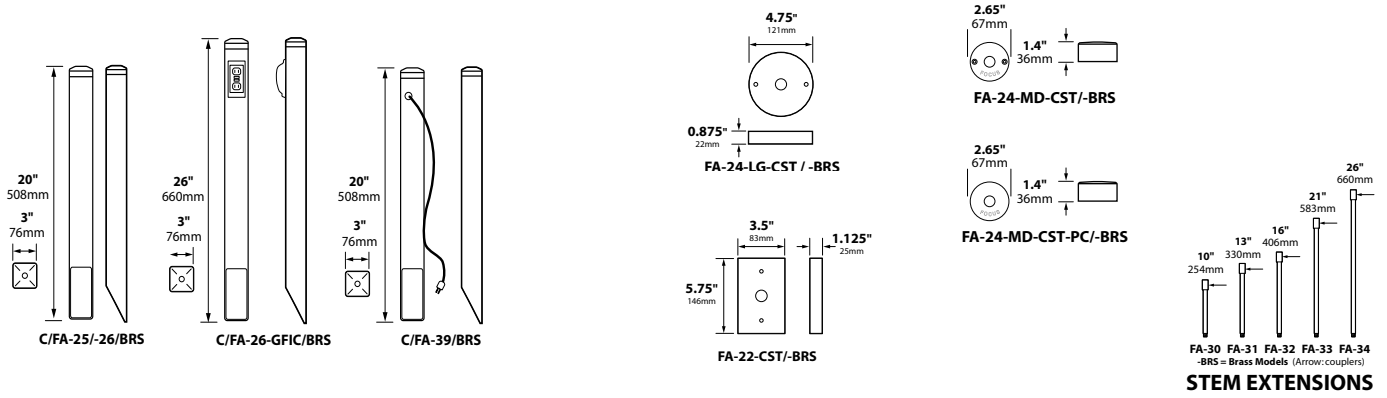
IP54



ORDERING INFORMATION

CATALOG NO.	DESCRIPTION	LAMP	SHIP WEIGHT
DL-38-NL-ECHID-BLT	Cast Aluminum HID PAR38 Bullet, Extension Collar	None	5.0 lbs.
DL-38-NL-ECHID-BRS	Cast Brass HID PAR38 Bullet, Extension Collar	None	7.0 lbs.
CDL-38-NL-ECHID	Composite HID PAR38 Bullet, Extension Collar	None	4.0 lbs.
DL-38-NL-ACHID-BLT	Cast aluminum HID PAR38 Bullet, angle collar	None	6.0 lbs.
DL-38-NL-ACHID-BRS	Cast brass HID PAR38 Bullet, angle collar	None	8.0 lbs.
CDL-38-NL-ACHID	Composite HID PAR38 Bullet, angle collar	None	4.0 lbs.

MOUNTING ACCESSORIES



BEAM/GLARE CONTROL ACCESSORIES

FA-08-38	Round 1/4" Hex Cell Louver
FA-10-38-BLUE	Blue Tempered Glass Lens
FA-10-38-GREEN	Green Tempered Glass Lens
FA-36-99	Aluminum Extension Cap, Tempered Convex Glass Lens
FA-36-99-BRS	Brass Extension Cap, Tempered Convex Glass Lens
CFA-36-99	Composite Extension Cap, Tempered Convex Glass Lens
FA-36-ACL	Aluminum Angle Cap, Tempered Convex Glass Lens
FA-36-ACL-BRS	Brass Angle Cap, Tempered Convex Glass Lens
CFA-36-ACL	Composite Angle Cap, Tempered Convex Glass Lens
FA-99-38	Clear Tempered Convex Glass Lens
FA-96	10" Extra-Long Extension Shield (aluminum only)
FA-98-38	Linear Spread Tempered Glass Lens
FA-104-38	Wide Spread Tempered Glass Lens Softener

JOB INFORMATION

Type: _____ Date: _____

Job Name: _____

Cat. No.: _____

Lamp(s): _____

Specifier: _____

Contractor: _____

Notes: _____

FOCUS INDUSTRIES INC.
25301 COMMERCENTRE DRIVE
LAKE FOREST, CA 92630

www.focusindustries.com
sales@focusindustries.com
(949) 830-1350 • FAX (949) 830-3390

Black Texture (Standard)	Antique Verde	Bronze Texture	Camel	White Texture	Hunter Texture	Rust	Weathered Iron	Weathered Brown	Stucco	Rubbed Verde	Chrome Powder	Terra Cotta	Acid Rust	Acid Verde	Black Acid Treatment
-BLT	-ATV	-BRT	-CAM	-WTX	-HTX	-RST	-WIR	-WBR	-STU	-RBV	-CPR	-TRC	-BAR/CAR	-BAV/CAV	-BAT